

AFL4-W101-ADLP

IEI Light Industrial Panel PC

Powered by Intel® Alder Lake-P Platform



Backplane
Systems
Technology

Backplane Systems
Technology Pty Ltd

TEL 02 9457 6400
sales@backplane.com.au
www.backplane.com.au

Proudly Australian-Owned Since 1989

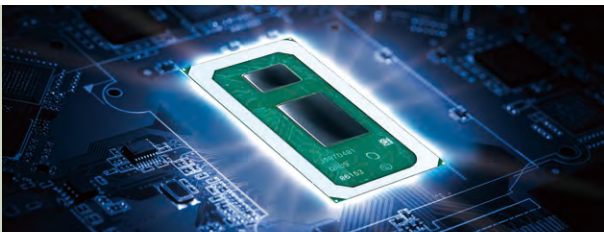
AFL4-W101-ADLP

Fanless panel PC with narrow bezel design, Intel® Alder Lake-P platform, on-board 8GB memory, HDMI output, dual 2.5GbE LAN, four UART, five USB, two M.2 M key expansion slots, and anti-glare & anti-UV 10-point touchscreen



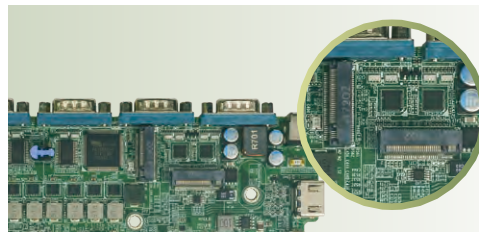
12th Gen Intel® Alder Lake-P Platform

Powered by 12th generation Intel® Alder Lake-P Series processors and asynchronous architecture, unleashing superior performance



Dual full-speed M.2 expansion slots

Two M.2 M-key slots accept 2242 and 2280 sizes of M.2 modules, and supports PCIe Gen4 x4 full-speed signal for more bandwidth and faster speed.



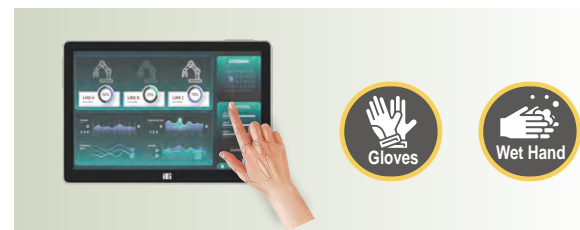
Anti-glare and Anti-UV PCAP

With anti-glare and anti-UV coating, the 10-point touchscreen can display clearly without reflection for a long time use in outdoors and bright light environment.



Works with Gloves and Water

The equipped capacitive touch screen supports gloved operation and waterproof function that can effectively eliminate false touch operating caused by water spray.



Extensive I/O Interfaces

The panel PC is small, but comes with abundant I/O for a variety of application scenarios. It includes four UART, five USB, two 2.5G network port and one HDMI interface.

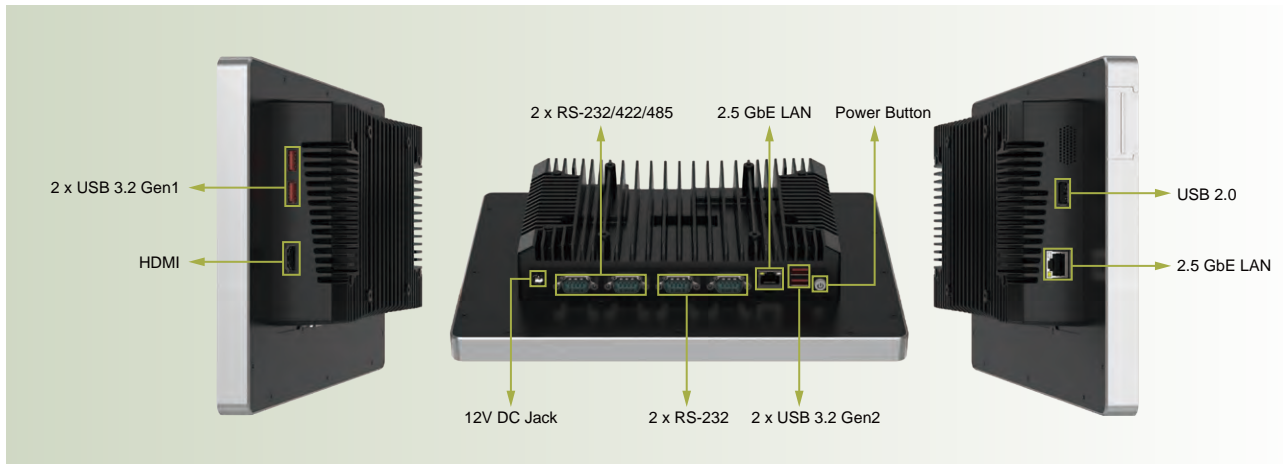


Support Wi-Fi 6E and Bluetooth 5.2

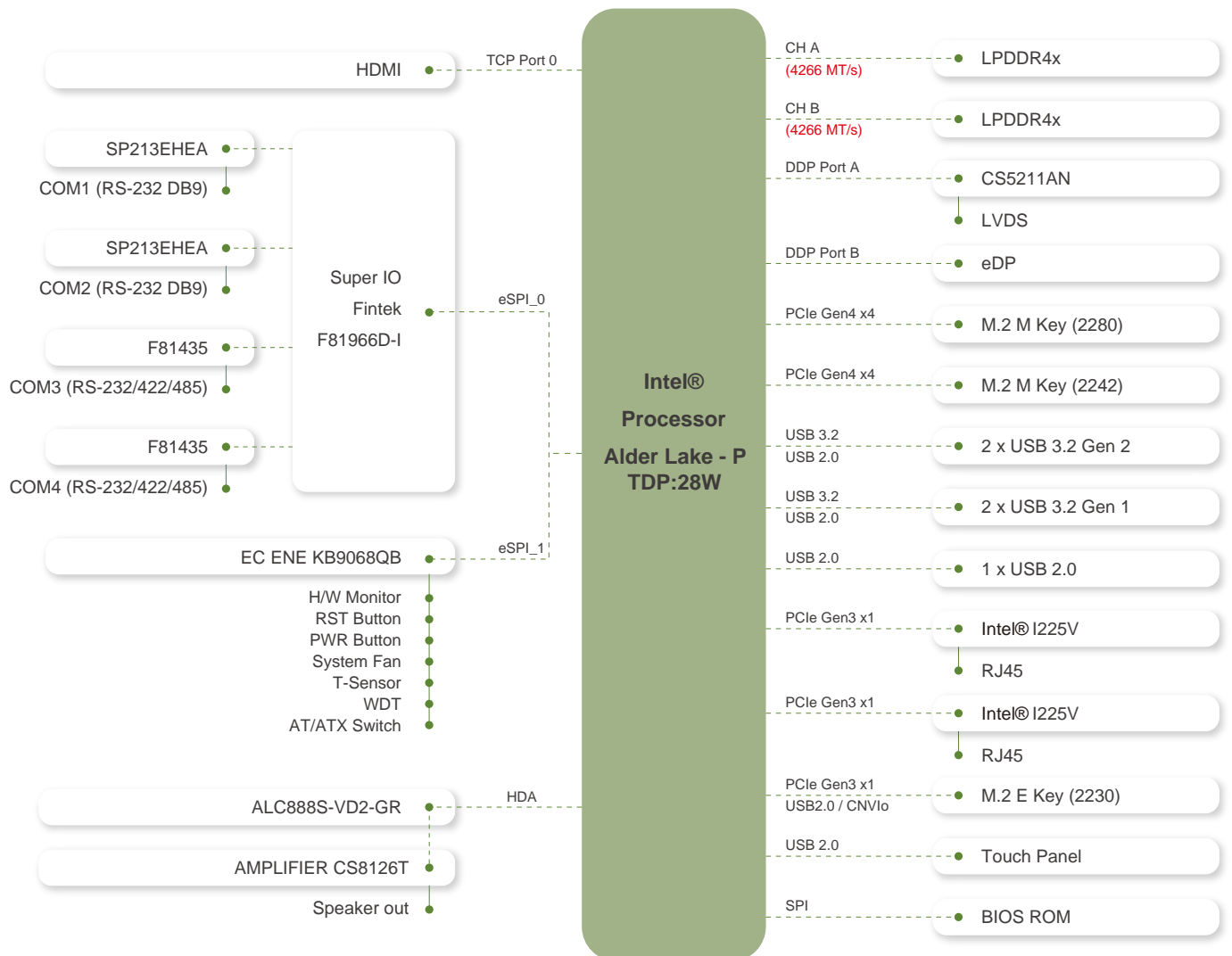
Strong Wi-Fi 6E wireless network capability provides more bandwidth, and the low latency Bluetooth 5.2 connection is more stable and consumes less power.



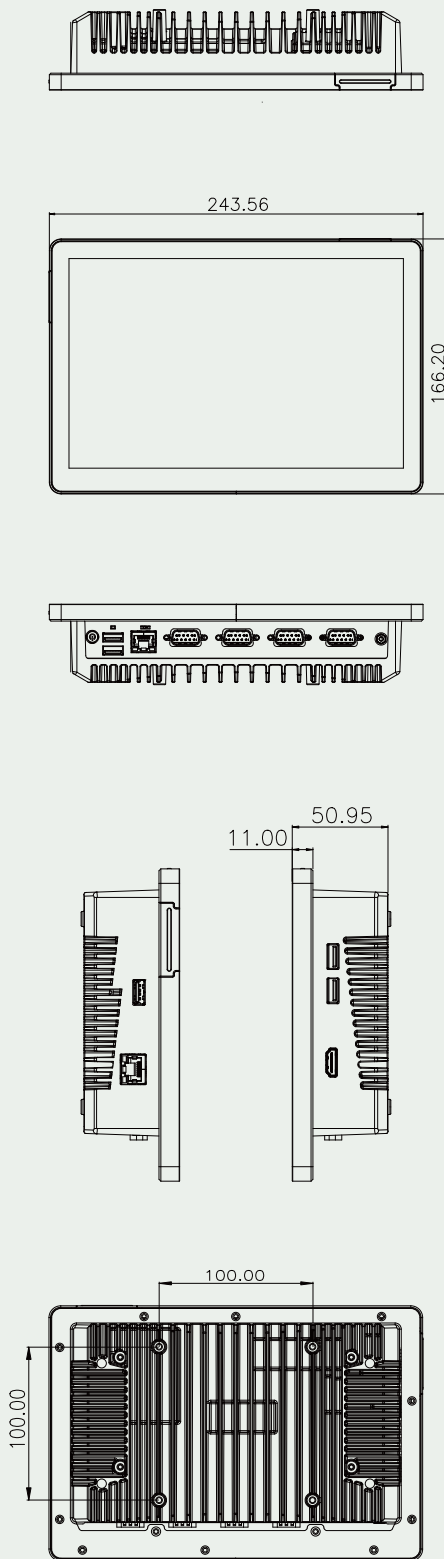
AFL4-W101-ADLP I/O



AFL4-W101-ADLP Block Diagram



Dimensions



Specifications

Model	AFL4-W101-ADLP	
LCD Display	10.1" (16:10)	
Resolution	1280 (W) x 800 (H)	
Brightness	350 cd/cm ²	
Contrast Ratio	900:1	
LCD Color	16.2M	
Viewing Angle (H-V)	170°/170°	
Backlight MTBF	30,000 hours	
CPU (SoC)	12th Generation Intel® Core™ i7/i5/i3 Processor (Alder Lake-P)	
Memory	Dual-channel 8GB LPDDR4x on-board	
Touchscreen	Multi-point projected capacitive type (anti-UV / anti-glare coating, support gloves)	
Touch	Surface hardness: ≥7H Projected capacitive type: EETI 80	
Ethernet	LAN1: Intel® I225V 2.5GbE controller LAN2: Intel® I225-LM 2.5GbE controller (support Intel® AMT)	
Expansion	1 x M.2 M key 2242 (PCIe Gen4 x4) 1 x M.2 M key 2280 (PCIe Gen4 x4)	
Mounting	VESA 100, Wall, Stand and Arm	
Construction Material	Aluminum front cover and sheet metal rear cover	
Enclosure Color	Silver+Black	
I/O Ports, Switch	2 x RS-232 by DB9 2 x RS-232/422/485 by DB9 2 x 2.5GbE LAN 2 x USB 3.2 Gen2 2 x USB 3.2 Gen1 1 x USB 2.0	1 x HDMI output 1 x 12V DC Jack 1 x Power button 1 x Reset button 1 x AT/ATX switch
Wireless & Bluetooth	IEEE 802.11ax 2T2R module (Wi-Fi 6E) with BT v5.2 (M.2 2230 E-key)	
Thermal Solution	Fanless	
Power Input	DC 12V	
TPM	Intel® Platform Trust Technology	
Watchdog Timer	Software Programmable support 1~255 sec. system reset	
Operating Temperature (with air flow)	-10°C ~ 50°C	
Storage Temperature	-20°C ~ 60°C	
Humidity	10% ~ 95%@40°C, non-condensing	
IP Level	IP 64 compliant front panel	
Safety and EMC	CE, FCC Class A, UKCA	
Operation Vibration	MIL-STD-810G 514.6C-1 (with SSD)	
Operation Shock	Half-sine wave shock 5G; 11ms; 100 shocks per axis	
Dimensions (H x W x D)	243.56 x 166.20 x 50.95 (mm)	
Net Weight	1.66kg	
ErP	ErP 2009/125/EC	
OS	Windows 10/11 IoT, Linux	

Packing List

1 x Power Cord	1 x Power Adapter
1 x QIG	1 x Thermal Pad

Ordering Information

AFL4-W101-ADLP-i7/8G-R10	10.1" 350cd/m ² 1280x800 fanless panel PC with Intel® Core™ i7-1260P on-board processor, 8GB LPDDR4x on-board, Wi-Fi 6E and Bluetooth 5.2 module, PCAP touch, 12V DC, R10
AFL4-W101-ADLP-i5/8G-R10	10.1" 350cd/m ² 1280x800 fanless panel PC with Intel® Core™ i5-1240P on-board processor, 8GB LPDDR4x on-board, Wi-Fi 6E and Bluetooth 5.2 module, PCAP touch, 12V DC, R10
AFL4-W101-ADLP-i3/8G-R10	10.1" 350cd/m ² 1280x800 fanless panel PC with Intel® Core™ i3-1220P on-board processor, 8GB LPDDR4x on-board, Wi-Fi 6E and Bluetooth 5.2 module, PCAP touch, 12V DC, R10

Options

Item	Part No	Description
Arm	ARM-11-RS	VESA 75/100 Desk Arm
Stand	STAND-C12-R10	VESA 75/100 Easy Stand
V-Stand	VSTAND-A10-R11	Stand V Type, VESA 75/100
Wall	AFLWK-19B	Monitor Wall Mount Kit
OS	TBD	TBD